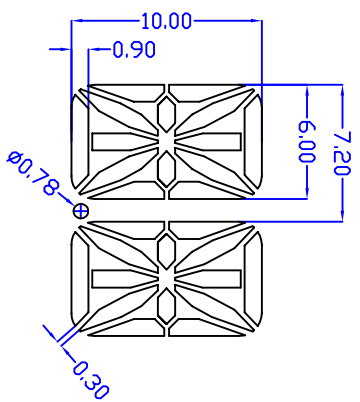
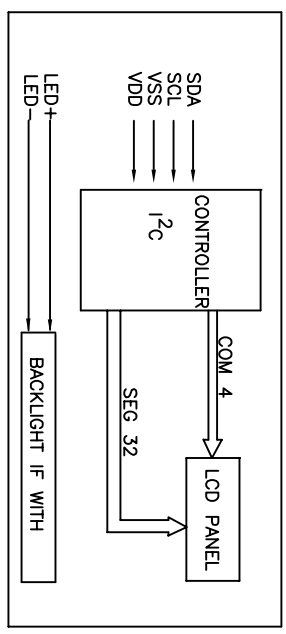


* FOR LED BACKLIGHT
 T1=14.0MAX T2=9.0±0.3
 * FOR EL OR NO BACKLIGHT
 T1=10.0MAX T2=5.0±0.3



PINS ASSIGNMENT	
NO.	SYMBOL DESCRIPTION
1	VSS POWER SUPPLY
2	VDD POWER SUPPLY
3	SDA I2C BUS SERIAL DATA
4	SCL I2C BUS SERIAL CLOCK
5	LED + POWER SUPPLY FOR LED BACKLIGHT (+)
6	LED - POWER SUPPLY FOR LED BACKLIGHT (-)

ABSOLUTE MAXIMUM RATING			
ITEM	SYMBOL	MIN	MAX
VOLTAGE FOR LOGIC	VDD-VSS	-0.3	7.0
POWER SUPPLY(LOGIC)	VDD-VSS	-0.3	13.5
POWER SUPPLY(LCD DRV.)	VDD-V0	-0.3	VDD
INPUT VOLTAGE	VI	-	VDD

ELECTRICAL CHARACTERISTICS (VDD=5.0±0.25V, 25°C)				
ITEM	SYMBOL	MIN	TYP	MAX
VOLTAGE FOR LOGIC	VDD-VSS	4.75	5.0	5.25
SUPPLY CURRENT	IDD	-	1.3	2.2
VOLTAGE FOR LCD	VDD-V0	4.7	4.9	5.1
INPUT VOLTAGE	VI	2.2	-	VDD
OUTPUT VOLTAGE	VO	-0.3	-	0.6
	VH	2.4	-	-
	VL	-	-	0.4

MECHANICAL SPECIFICATIONS		
ITEM	SPECIFICATION	UNIT
OVERALL SIZE	84.0W x 44.0H x 14.0T(10.0T)	MM
VIEWING AREA	61.0W x 15.8H	MM
DIGITS	8 DIGITS x 1 LINES	MM
DIGIT SIZE	6.0W x 10.0H	MM
CHARACTER PITCH	7.20W x 10.0H	MM

OPTIONS	
1. LCD TYPE:	TN
2. BACKLIGHT:	WITHOUT BACKLIGHT; LED; EL
3. COLOR OF BACKLIGHT:	Y/G; BLUE; WHITE
4. TEMPERATURE RANGE:	NORMAL(0--50C) EXTENDED(-20--70c)
5. POWER SUPPLY:	5.0V; 3.0V
6. VIEWING ANGLE:	6H; 12H

NT-S8005A

8 DIGITS 14 SEGMENTS 1 LINE



ALL DIMENSIONS ARE IN MM. TOLERANCE IS +/-0.2 UNLESS OTHERWISE NOTED.

REVISIONS		
NO.	DATE	DESCRIPTION
1	04/07/02 A.CH	NEW RELEASE

