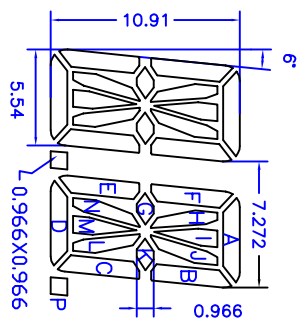


\* FOR LED BACKLIGHT  
 T1=14.0MAX T2=9.0±0.3  
 \* FOR EL OR NO BACKLIGHT  
 T1=10.0MAX T2=5.0±0.3



NT-S6001A

8 DIGITS 14 SEGMENTS 1 LINE

NELY, YOUR SUPPLIER, AND YOUR PARTNER!



ALL DIMENSIONS ARE IN MM. TOLERANCE IS +/-0.2 UNLESS OTHERWISE NOTED.

REVISIONS			
NO.	DATE	BY	DESCRIPTION
1	03/05/21	A.CH	NEW RELEASE

PINS ASSIGNMENT			
NO.	SYMBOL	DESCRIPTION	
1	VSS	POWER SUPPLY	
2	VDD	POWER SUPPLY	
3	/CS	CHIP SELECTION	
4	/NR	WRITE CLOCK	
5	DATA	SERIAL DATA INPUT/OUTPUT	
6	LED +	POWER SUPPLY FOR LED BACKLIGHT (+)	
7	LED -	POWER SUPPLY FOR LED BACKLIGHT (-)	

ABSOLUTE MAXIMUM RATING			
ITEM	SYMBOL	MIN	MAX
POWER SUPPLY(LOGIC)	VDD-VSS	-0.3	7.0
POWER SUPPLY(LED DRV.)	VDD-V0	-0.3	13.5
INPUT VOLTAGE	VI	-0.3	VDD

ELECTRICAL CHARACTERISTICS (VDD=5.0±0.25V, 25°C)				
ITEM	SYMBOL	MIN	TYP	MAX
VOLTAGE FOR LOGIC	VDD-VSS	4.75	5.0	5.25
SUPPLY CURRENT	IDD	-	1.3	2.2
VOLTAGE FOR LED	VDD-V0	4.7	4.9	5.1
INPUT VOLTAGE	VI	2.2	-	VDD
OUTPUT VOLTAGE	VOH	-0.3	-	0.6
	VOL	2.4	-	-

MECHANICAL SPECIFICATIONS		
ITEM	SPECIFICATION	UNIT
OVERALL SIZE	80.0W x 36.0H x 14.0T(10.0T)	MM
VIEWING AREA	64.5W x 13.5H	MM
DIGITS	8 DIGITS x 1 LINES	MM
DIGIT SIZE	5.54W x 10.91H	MM
CHARACTER PITCH	7.272W x 10.91H	MM

OPTIONS	
1. LED TYPE:	TN
2. BACKLIGHT: WITHOUT BACKLIGHT: LED: EL	
3. COLOR OF BACKLIGHT: Y/G: BLUE: WHITE	
4. TEMPERATURE RANGE: NORMAL(0--50C)	
EXTENDED(-20--70C)	
5. POWER SUPPLY: 5.0V: 3.0V	
6. VIEWING ANGLE: 6H: 12H	