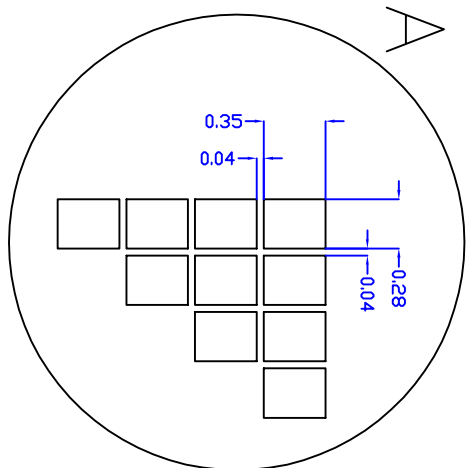
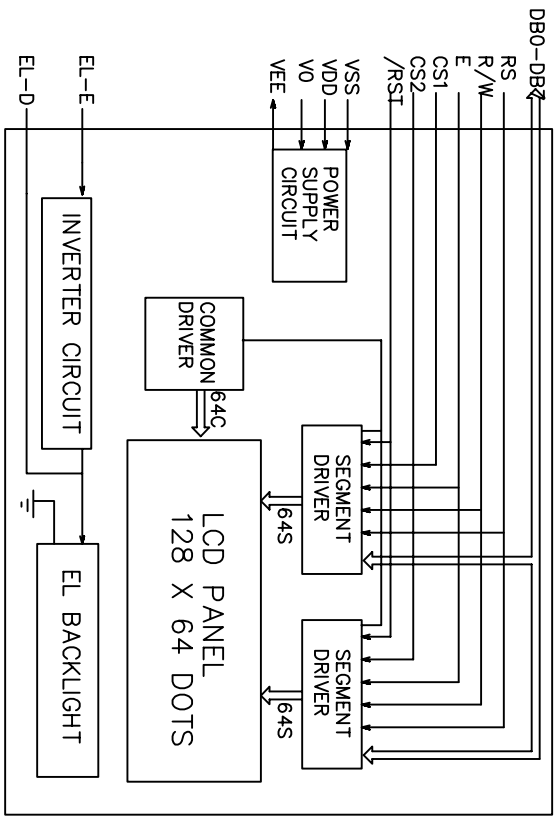


- 1.FOR EL BACKLIGHT  
T1=6.5, T2=3.1
- 2.FOR LED BACKLIGHT  
T1=8.0, T2=5.0



PINS ASSIGNMENT	
NO.	SYMBOL DESCRIPTION
1	VSS GROUND
2	VDD POWER SUPPLY FOR LOGIC AND LCD
3	V0 OPERATING VOLTAGE FOR LCD
4	RS DATA/INSTRUCTION SELECT
5	R/W READ/WRITE SELECT
6	E ENABLE SIGNAL
7-14	DB0--DB7 DATA BUS
15	/CS1 CHIP SELECT OF IC1 (LOW EFFECTIVE)
16	/CS2 CHIP SELECT OF IC2 (LOW EFFECTIVE)
17	/RST RESET SIGNAL (LOW EFFECTIVE)
18	VEE NEGATIVE VOLTAGE OUTPUT/INPUT
19	FOR EL: EL- EL ON/OFF CONTROL(HIGH ON)
19	FOR LED: A POWER FOR LED BACKLIGHT(5.0V)
20	FOR EL: NC NO CONNECTION
20	FOR LED: K POWER FOR LED BACKLIGHT(0V)

ABSOLUTE MAXIMUM RATING			
ITEM	SYMBOL	MIN	MAX
POWER SUPPLY(LOGIC)	VDD-VSS	0	6.5
POWER SUPPLY(LCD DRV)	VDD-V0	0	18.0
INPUT VOLTAGE	VI	VI	VDD

ELECTRICAL CHARACTERISTICS					
ITEM	SYMBOL	MIN	TYP	MAX	UNIT
VOLTAGE FOR LOGIC	VDD-VSS	4.75	5.0	5.25	V
SUPPLY CURRENT	IDD	-	5.1	9.8	mA
LCD OPERATING VOLTAGE	VDD-V0	-	9.2	-	V
INPUT VOLTAGE	VH	-	9.0	-	V
	VL	-	8.8	-	V
	L	0.7VDD	-	VDD	V
	VH	0	-	0.3VDD	V

MECHANICAL SPECIFICATIONS		
ITEM	SPECIFICATION	UNIT
OVERALL SIZE	54.0W x 50.0H x 6.5T	MM
VIEWING AREA	43.5W x 29.0H	MM
DOT NUMBER	128 x 64	DOTS
DOT SIZE	0.28W x 0.35H	MM
DOT PITCH	0.32W x 0.39H	MM

- OPTIONS
- LCD TYPE: Y/G STN; BACKLIGHT:EL
  - BACKLIGHT: WITHOUT; BACKLIGHT:EL
  - COLOR OF BACKLIGHT: Y/G; BLUE; WHITE
  - TEMPERATURE RANGE: NORMAL(0--50(C)); EXTENDED(-20--70(C))
  - POWER SUPPLY: ON BOARD DC/DC(SINGLE 5.0V); DUAL POWER SUPPLY(5.0V & -10.0V)
  - VIEWING ANGLE: 6H;

NT-G128644A

128 X 64 DOTS GRAPHIC LCM



NELY, YOUR SUPPLIER, AND YOUR PARTNER!

ALL DIMENSIONS ARE IN MM. TOLERANCE IS +/-0.2 UNLESS OTHERWISE NOTED.



REVISIONS		
NO.	DATE	DESCRIPTION
1	01/06/18	ACH NEW RELEASE
2	05/03/18	ACH LED BACKLIGHT