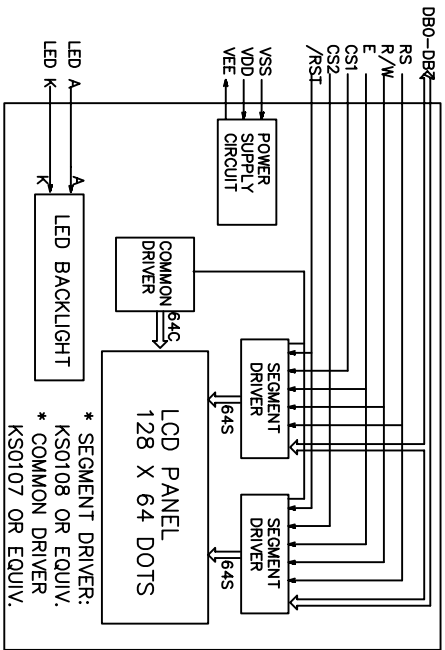
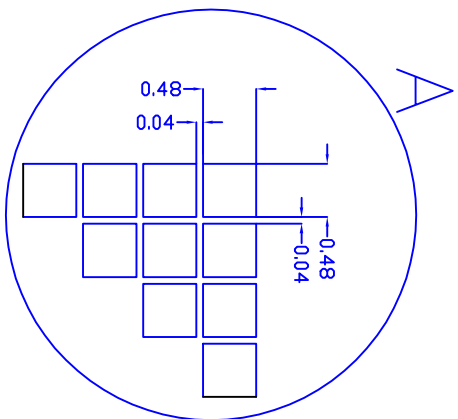


* FOR LED BACKLIGHT
 T1=14.0MAX T2=9.0±0.3
 * FOR EL OR NO BACKLIGHT
 T1=11.0MAX T2=6.0±0.3



* SEGMENT DRIVER:
 KS0108 OR EQUIV.
 * COMMON DRIVER:
 KS0107 OR EQUIV.



REVISIONS

NO.	DATE	BY	DESCRIPTION
1	01/07/21	A.CH	NEW RELEASE

PINS ASSIGNMENT			
NO.	SYMBOL	DESCRIPTION	
1	VSS	GROUND	
2	VDD	POWER SUPPLY FOR LOGIC AND LCD	
3	V0	OPERATING VOLTAGE FOR LCD	
4	RS	DATA/INSTRUCTION SELECT	
5	R/W	READ/WRITE SELECT	
6	E	ENABLE SIGNAL	
7--14	DB0--DB7	DATA BUS	
15	CS1	CHIP SELECT OF IC1 (HIGH EFFECTIVE)	
16	CS2	CHIP SELECT OF IC2 (HIGH EFFECTIVE)	
17	/RST	RESET SIGNAL(LOW EFFECTIVE)	
18	VEE	NEGATIVE VOLTAGE OUTPUT/INPUT	
19	A	POWER SUPPLY FOR LED BACKLIGHT(+)	
20	K	POWER SUPPLY FOR LED BACKLIGHT(-)	

ABSOLUTE MAXIMUM RATING			
ITEM	SYMBOL	MIN	MAX
POWER SUPPLY(LOGIC)	VDD-VSS	0	6.5
POWER SUPPLY(LCD DRV.)	VDD-V0	0	18.0
INPUT VOLTAGE	VI	VI	VDD

ELECTRICAL CHARACTERISTICS					
ITEM	SYMBOL	MIN	TYP	MAX	UNIT
VOLTAGE FOR LOGIC	VDD-VSS	4.75	5.0	5.25	V
SUPPLY CURRENT	IDD	-	8.7	-	mA
LCD OPERATING VOLTAGE	V0	-	12.5	-	V
	25C	-	11.5	-	V
	40C	-	10.5	-	V
INPUT VOLTAGE	L	0.7VDD	-	VDD	V
	H	VH	-	0.3VDD	V
WHITE LED VOLTAGE	WLED	-	3.1	3.3	V

MECHANICAL SPECIFICATIONS		
ITEM	SPECIFICATION	UNIT
OVERALL SIZE	93.0W x 70.0H x 14.0T(11.0T)	MM
VIEWING AREA	72.0W x 40.0H	MM
DOT NUMBER	128 x 64	DOTS
DOT SIZE	0.48W x 0.48H	MM
DOT PITCH	0.52W x 0.52H	MM

OPTIONS	
1. LCD TYPE:	Y/G STN: GRAY STN: B/W FSTN
2. BACKLIGHT:	WITHOUT BACKLIGHT: LED: EL
3. COLOR OF BACKLIGHT:	Y/G: BLUE: WHITE
4. TEMPERATURE RANGE:	NORMAL(0--50C): EXTENDED(-20--70C)
5. POWER SUPPLY:	ON BOARD DC/DC(SINGLE 5.0V): DUAL POWER SUPPLY(5.0V & -10.0V)
6. VIEWING ANGLE:	6H: 12H

NT-G128641A

128 X 64 DOTS GRAPHIC LCM



NELY, YOUR SUPPLIER, AND YOUR PARTNER!

ALL DIMENSIONS ARE IN MM. TOLERANCE IS +/-0.2 UNLESS OTHERWISE NOTED.

