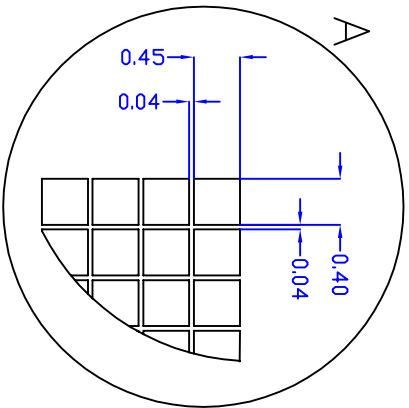


\* FOR LED BACKLIGHT  
 T1=14.0MAX T2=9.0±0.3  
 \* FOR EL OR NO BACKLIGHT  
 T1=11.0MAX T2=6.0±0.3



PINS ASSIGNMENT	
NO.	SYMBOL DESCRIPTION
1	VSS GROUND
2	VDD POWER SUPPLY FOR LOGIC AND L0D
3	V0 CONTRAST ADJUST
4	A0 DATA/INSTRUCTION SELECT
5	E1 READ/WRITE ENABLE SIGNAL(MASTER)
6	E2 READ/WRITE ENABLE SIGNAL(SLAVE)
7	NC NO CONNECTION
8	NC NO CONNECTION
9	R/W READ/WRITE SELECT
10-17	DB0--DB7 DATA BUS
18	/RST RESET SIGNAL(LOW EFFECTIVE)
19	A POWER SUPPLY FOR LED BACKLIGHT(+)
20	K POWER SUPPLY FOR LED BACKLIGHT(-)

ABSOLUTE MAXIMUM RATING			
ITEM	SYMBOL	MIN	MAX UNIT
POWER SUPPLY(LOGIC)	VDD-VSS	0	6.5 V
POWER SUPPLY(LED DRV.)	VDD-V0	0	10.0 V
INPUT VOLTAGE	V <sub>I</sub>	V <sub>I</sub>	VDD V

ELECTRICAL CHARACTERISTICS				
ITEM	SYMBOL	MIN	TYP	MAX UNIT
VOLTAGE FOR LOGIC	VDD-VSS	4.75	5.0	5.25 V
SUPPLY CURRENT	IDD	-	300	500 uA
L0D OPERATING VOLTAGE	VDD-V0	-	5.5	- V
	25°C	-	4.8	- V
	40°C	-	4.6	- V
INPUT VOLTAGE	H	V <sub>IH</sub>	0.8VDD	VDD V
	L	V <sub>IL</sub>	0	0.2VDD V

MECHANICAL SPECIFICATIONS		
ITEM	SPECIFICATION	UNIT
OVERALL SIZE	84.0W x 44.0H x 14.0T(10.0T)	MM
VIEWING AREA	60.5W x 18.5H	MM
DOT NUMBER	122 x 32	DOTS
DOT SIZE	0.40W x 0.45H	MM
DOT PITCH	0.44W x 0.49H	MM

- OPTIONS
- L0D TYPE: Y/G STN: GRAY STN: Y/G: BLUE: WHITE
  - BACKLIGHT: WITHOUT BACKLIGHT: LED: EL
  - COLOR OF BACKLIGHT: NORMAL(0--500°): EXTENDED(-20--70°)
  - TEMPERATURE RANGE: NORMAL(0--500°): EXTENDED(-20--70°)
  - POWER SUPPLY: ON BOARD DC(DC/SINGLE 5.0V): DUAL POWER SUPPLY(5.0V & -5.0V)
  - VIEWING ANGLE: 6H: 12H

NT-G122322B

122 X 32 DOTS GRAPHIC LCM



NFLY, YOUR SUPPLIER, AND YOUR PARTNER!

ALL DIMENSIONS ARE IN MM. TOLERANCE IS +/-0.2 UNLESS OTHERWISE NOTED.

