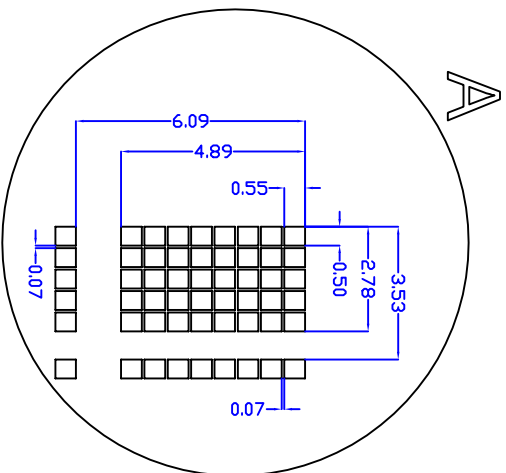
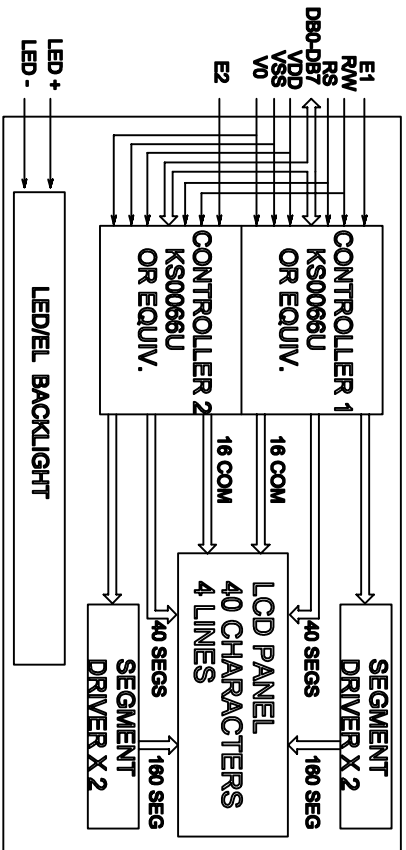


* FOR LED BACKLIGHT
 T1=14.0MAX T2=9.0±0.3
 * FOR EL OR NO BACKLIGHT
 T1=10.0MAX T2=5.0±0.3



PINS ASSIGNMENT	
NO.	SYMBOL DESCRIPTION
1-8	DB7-DB0 DATA BUS
9	E1 ENABLE SIGNAL FOR CONTROLLER 1
10	RW READ/WRITE CONTROL
11	RS DATA/INSTRUCTION SELECT
12	V0 OPERATING VOLTAGE FOR LCD
13	VSS POWER SUPPLY
14	VDD POWER SUPPLY
15	E2 ENABLE SIGNAL FOR CONTROLLER 2
16	NC NO CONNECT
17	LED- POWER SUPPLY FOR LED BACKLIGHT (-)
18	LED+ POWER SUPPLY FOR LED BACKLIGHT (+)

ABSOLUTE MAXIMUM RATING			
ITEM	SYMBOL	MIN	MAX
POWER SUPPLY (LOGIC)	VDD-VSS	-0.3	7.0
POWER SUPPLY (LCD DRV.)	VDD-V0	-0.3	13.5
INPUT VOLTAGE	VI	-0.3	VDD

ELECTRICAL CHARACTERISTICS (VDD=5.0±0.25V, 25°C)					
ITEM	SYMBOL	MIN	TYP	MAX	UNIT
VOLTAGE FOR LOGIC	VDD-VSS	4.75	5.0	5.25	V
SUPPLY CURRENT	IDD	-	6.0	7.5	mA
VOLTAGE FOR LCD	VDD-V0	4.7	4.9	5.1	V
INPUT VOLTAGE	VI	2.2	-	VDD	V
OUTPUT VOLTAGE	VOH	-0.3	-	0.6	V
	VOL	2.4	-	-	V
VOLTAGE FOR BACKLIGHT	VA-VK	-	4.1	4.3	V

MECHANICAL SPECIFICATIONS		
ITEM	SPECIFICATION	UNIT
OVERALL SIZE	190.0W x 64.0H x 14.0T(10.0T)	MM
VIEWING AREA	147.0W x 29.5H	MM
CHARACTERS	40 CHARACTERS x 4 LINES	MM
CHARACTER SIZE	2.78W x 4.89H	MM
CHARACTER PITCH	3.53W x 6.09H	MM

- OPTIONS**
- LCD TYPE: Y/G STN; GRAY STN; TN
 - BACKLIGHT: WITHOUT BACKLIGHT; LED; EL
 - COLOR OF BACKLIGHT: Y/G; BLUE; WHITE
 - TEMPERATURE RANGE: NORMAL(0-50C) EXTENDED(-20-70C)
 - POWER SUPPLY: 5.0V; 3.0V
 - VIEWING ANGLE: 6H; 12H
 - CHARACTER TABLE: JAPANESE; EUROPEAN; CYRILLIC

REVISIONS			DESCRIPTION
NO.	DATE	BY	
1	01/09/06	A.CH	NEW RELEASE

NT-C4041A

40 CHARACTERS X 4 LINES



ALL DIMENSIONS ARE IN MM. TOLERANCE IS +0.2 UNLESS OTHERWISE NOTED.

NELY, YOUR SUPPLIER, AND YOUR PARTNER!