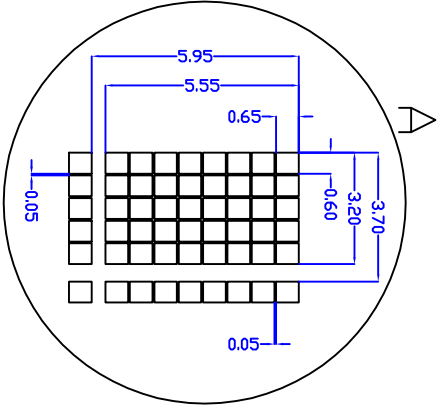
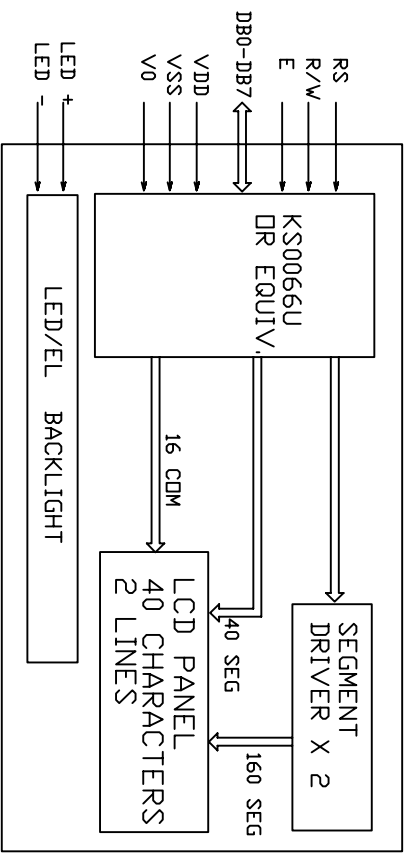


* FOR LED BACKLIGHT
 T1=14.0MAX T2=9.0±0.3
 * FOR EL. DR. ND. BACKLIGHT
 T1=10.0MAX T2=3.0±0.3



NT-C4021A

40 CHARACTERS X 2 LINES



NFLY, YOUR SUPPLIER, AND YOUR PARTNER!

ALL DIMENSIONS ARE IN MM. TOLERANCE IS ±0.2 UNLESS OTHERWISE NOTED.

REVISIONS			
NO.	DATE	BY	DESCRIPTION
1	01/09/25	ACh	NEW RELEASE

PINS ASSIGNMENT			
NO.	SYSBOL	DESCRIPTION	
1	VSSBOL	POWER SUPPLY	
2	VDD	POWER SUPPLY	
3	V0	OPERATING VOLTAGE FOR LCD	
4	RS	DATA/INSTRUCTION SELECT	
5	R/W	READ/WRITE CONTROL	
6	E	ENABLE SIGNAL	
7--14	DB0--DB7	DATA BUS	
15	LED +	POWER SUPPLY FOR LED BACKLIGHT (++)	
16	LED -	POWER SUPPLY FOR LED BACKLIGHT (-)	

ABSOLUTE MAXIMUM RATING			
ITEM	SYMBOL	MIN	MAX
POWER SUPPLY (LOGIC)	VDD-VSS	-0.3	7.0
POWER SUPPLY (LCD DRV.)	VDD-V0	-0.3	13.5
INPUT VOLTAGE	V _I	-0.3	VDD

ELECTRICAL CHARACTERISTICS (VDD=5.0±0.25V, 25°C)					
ITEM	SYMBOL	MIN	TYP	MAX	UNIT
VOLTAGE FOR LOGIC	VDD-VSS	4.75	5.0	5.25	V
SUPPLY CURRENT	IDD	-	1.0	2.2	mA
VOLTAGE FOR LCD	VDD-V0	-	4.6	-	V
INPUT VOLTAGE	V _{IH}	2.2	-	VDD	V
	V _{IL}	-0.3	-	0.6	V
OUTPUT VOLTAGE	V _{OH}	2.4	-	-	V
	V _{OL}	-	-	0.4	V

MECHANICAL SPECIFICATIONS		
ITEM	SPECIFICATION	UNIT
OVERALL SIZE	182.0W x 33.5H x 14.0T(±0.07)	MM
VIEWING AREA	154.5W x 15.8H	MM
CHARACTERS	40 CHARACTERS x 2 LINES	
CHARACTER SIZE	3.20W x 5.55H	MM
CHARACTER PITCH	3.70W x 5.95H	MM

- OPTIONS**
- LCD TYPE: Y/G STN, GRAY STN, TN
 - BACKLIGHT, WITHOUT BACKLIGHT, LED, EL
 - COLOR OF BACKLIGHT: Y/G, BLUE, WHITE
 - TEMPERATURE RANGE: NORMAL (0--50C) EXTENDED (-20--70C)
 - POWER SUPPLY: 5.0V, 3.0V
 - VIEWING ANGLE: 6H, 12H
 - CHARACTER TABLE: JAPANESE, EUROPEAN, CYRILLIC