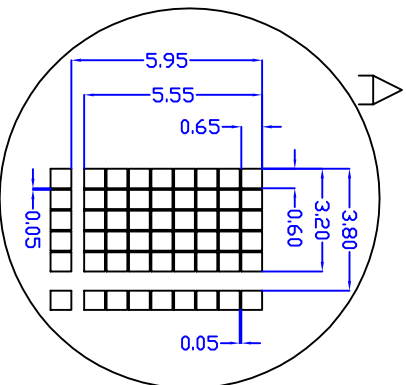
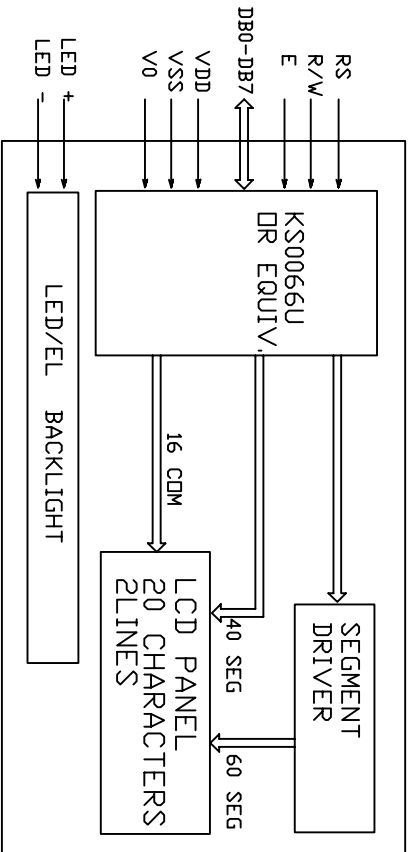


\* FOR LED BACKLIGHT  
 T1=14.0MAX T2=9.0±0.3  
 \* FOR EL OR NO BACKLIGHT  
 T1=10.0MAX T2=5.0±0.3



PINS ASSIGNMENT	
NO.	SYMBOL DESCRIPTION
1	VSS POWER SUPPLY
2	VDD POWER SUPPLY
3	V0 OPERATING VOLTAGE FOR LCD
4	RS DATA/INSTRUCTION SELECT
5	R/W READ/WRITE CONTROL
6	E ENABLE SIGNAL
7-14	DB0-DB7 DATA BUS
15	LED + POWER SUPPLY FOR LED BACKLIGHT (+)
16	LED - POWER SUPPLY FOR LED BACKLIGHT (-)

ABSOLUTE MAXIMUM RATING			
ITEM	SYMBOL	MIN	MAX
POWER SUPPLY(VLOGIC)	VDD-VSS	-0.3	7.0
POWER SUPPLY(VLCD DRV)	VDD-V0	-0.3	13.5
INPUT VOLTAGE	VI	-0.3	VDD

ELECTRICAL CHARACTERISTICS (VDD=5.0±0.25V, 25°C)					
ITEM	SYMBOL	MIN	TYP	MAX	UNIT
VOLTAGE FOR LOGIC(VDD-VSS)		4.75	5.0	5.25	V
SUPPLY CURRENT	IDD	-	1.0	2.2	mA
VOLTAGE FOR LCD (VDD-V0)		-	4.6	-	V
INPUT VOLTAGE	VIH	2.2	-	VDD	V
	VIL	-0.3	-	0.6	V
OUTPUT VOLTAGE	VOH	2.4	-	-	V
	VOL	-	-	0.4	V

MECHANICAL SPECIFICATIONS		
ITEM	SPECIFICATION	UNIT
OVERALL SIZE	116.0W x 37.0H x 14.0T(10.0T)	MM
VIEWING AREA	83.0W x 18.6H	MM
CHARACTERS	20 CHARACTERS x 2 LINES	
CHARACTER SIZE	3.20W x 5.55H	MM
CHARACTER PITCH	3.80W x 5.95H	MM

OPTIONS	
1.	LCD TYPE: Y/G STN, GRAY STN, TN
2.	BACKLIGHT: WITHOUT BACKLIGHT, LED, EL
3.	COLOR OF BACKLIGHT: Y/G, BLUE, WHITE
4.	TEMPERATURE RANGE: NORMAL(0--50C) EXTENDED(-20--70C)
5.	POWER SUPPLY: 5.0V, 3.0V
6.	VIEWING ANGLE: 6H, 12H
7.	CHARACTER TABLE: JAPANESE, EUROPEAN, CYRILLIC

REVISIONS			
NO.	DATE	BY	DESCRIPTION
1	01/09/18	A.CH	NEW RELEASE

NT-C2021A

20 CHARACTERS X 2 LINES



ALL DIMENSIONS ARE IN MM. TOLERANCE IS +/0.2 UNLESS OTHERWISE NOTED.

NELY, YOUR SUPPLIER, AND YOUR PARTNER!