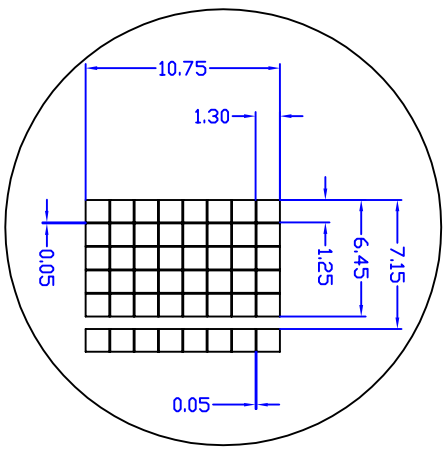
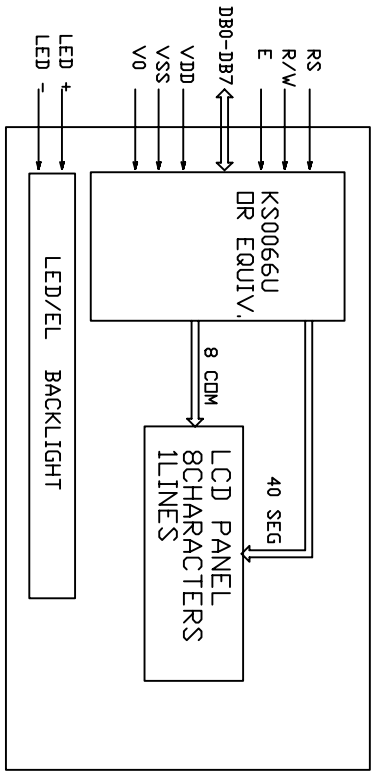


* FOR LED BACKLIGHT
 T1=14.0MAX T2=9.0±0.3
 * FOR EL DR ND BACKLIGHT
 T1=10.0MAX T2=5.0±0.3



PINS ASSIGNMENT	
NO.	SYMBOL DESCRIPTION
1	VSS POWER SUPPLY
2	VDD POWER SUPPLY
3	V0 OPERATING VOLTAGE FOR LCD
4	RS DATA/INSTRUCTION SELECT
5	R/W READ/WRITE CONTROL
6	E ENABLE SIGNAL
7-14	DB0-DB7 DATA BUS
15	A POWER SUPPLY FOR LED BACKLIGHT (+)
16	K POWER SUPPLY FOR LED BACKLIGHT (-)

ABSOLUTE MAXIMUM RATING			
ITEM	SYMBOL	MIN	MAX
POWER SUPPLY(VDD)	VDD-VSS	-0.3	7.0
POWER SUPPLY(VLCD DRV)	VDD-V0	-0.3	13.5
INPUT VOLTAGE	VI	-0.3	VDD

ELECTRICAL CHARACTERISTICS (VDD=5.0±0.25V, 25°C)				
ITEM	SYMBOL	MIN	TYP	MAX
VOLTAGE FOR LOGIC	VDD-VSS	4.75	5.0	5.25
SUPPLY CURRENT	IDD	-	1.0	1.3
VOLTAGE FOR LCD	VDD-V0	-	4.7	-
INPUT VOLTAGE	VIH	2.2	-	VDD
	VIL	-0.3	-	0.6
OUTPUT VOLTAGE	VOH	2.4	-	-
	VOL	-	-	0.4

MECHANICAL SPECIFICATIONS		
ITEM	SPECIFICATION	UNIT
OVERALL SIZE	84.0V x 44.0H x 14.0T(10.0T)	MM
VIEWING AREA	61.0V x 15.8H	MM
CHARACTERS	8 CHARACTERS x 1 LINES	MM
CHARACTER SIZE	6.45V x 10.75H	MM
CHARACTER PITCH	7.15V x 10.75H	MM

OPTIONS	
1.	LCD TYPE: Y/G STN, GRAY STN, TN
2.	BACKLIGHT: WITHOUT BACKLIGHT, LED, EL
3.	COLOR OF BACKLIGHT: Y/G, BLUE, WHITE
4.	TEMPERATURE RANGE: NORMAL(0--50C) EXTENDED(-20--70C)
5.	POWER SUPPLY: 5.0V, 3.0V
6.	VIEWING ANGLE: 6H, 12H
7.	CHARACTER TABLE: JAPANESE, EUROPEAN, CYRILLIC

NT-C0811A

8 CHARACTERS X 1 LINES



NELY, YOUR SUPPLIER, AND YOUR PARTNER!

ALL DIMENSIONS ARE IN MM. TOLERANCE IS ±0.2 UNLESS OTHERWISE NOTED.



REVISIONS		DESCRIPTION
NO.	DATE	BY
1	02/12/06	ACH
		NEW RELEASE